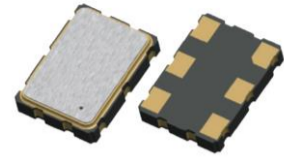


Features

- Typical 2.0 x 1.6 x 0.75 mm ceramic SMD package.
- Operation supply voltage: 1.5V, 1.8V
- RTC frequency 32.768kHz
- Ultra-Low current: 1.4uA typical.
- Frequency Stability ± 25 ppm over -40°C to 85°C
- Pb-free/RoHS compliant
- RTC Reference Clock
- Wearable device
- Sport Video Cams
- Mobile Phones
- Health and Wellness Monitors



BS2016A Series

Parameter	1.5V		1.8V		Unit	Conditions
	Min.	Max.	Min.	Max.		
Supply Voltage Variation	VDD-5%	VDD+5%	VDD-5%	VDD+5%	V	
Frequency	32.768				kHz	
Frequency Tolerance	-10	10	-10	10	ppm	@ 25°C, 3 days average
Frequency vs Temperature	-25	25	-25	25	ppm	@-40 to +85°C with reference to +25°C, 3days average
Supply Current	Typ. 1.4	1.8	Typ. 1.4	1.8	uA	@No Load
Duty Cycle	45	55	45	55	%	
Output Level	90% VDD	-	90% VDD	-	V	Output High
	-	10%VDD	-	10%VDD	V	Output Low
Rise Time / Fall Time	-	10	-	10	nSec	Transition Time @10%-90%
Startup Time	-	8	-	8	mSec	
Aging	-	± 3	-	± 3	ppm	@ 25°C, First Year
Storage Temp. Range	-55	125	-55	125	°C	
FREQ. STABILITY vs. TEMP. RANGE		± 20 ppm	± 25 ppm	± 50 ppm		
	-20~+70	Conditional	Available	Available		
	-40~+85	Not available	Available	Available		
	-40~+105	Not available	Conditional	Available		

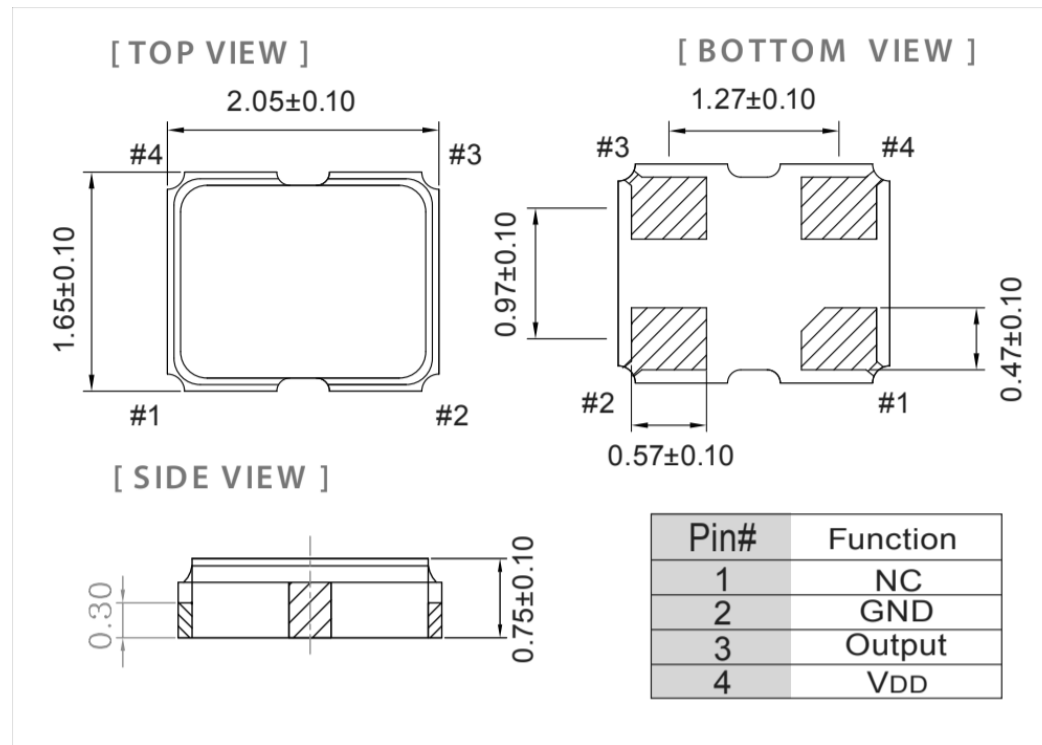
Note: not all combination of options are available. Other specifications may be available upon request.

Reliability

Parameter	Condition
Test	IEC60068, GJB360B
Mechanical Stress Test	IEC60068, GJB360B
EMC Test (ESD)	IEC61000, JESD22
Solderability	EIA/JESD22-B102-C
Contact Pads	Gold over Nickel
RoHS	RoHS Directive 2011/65/EU Annex II Recasting 2002/95/EC

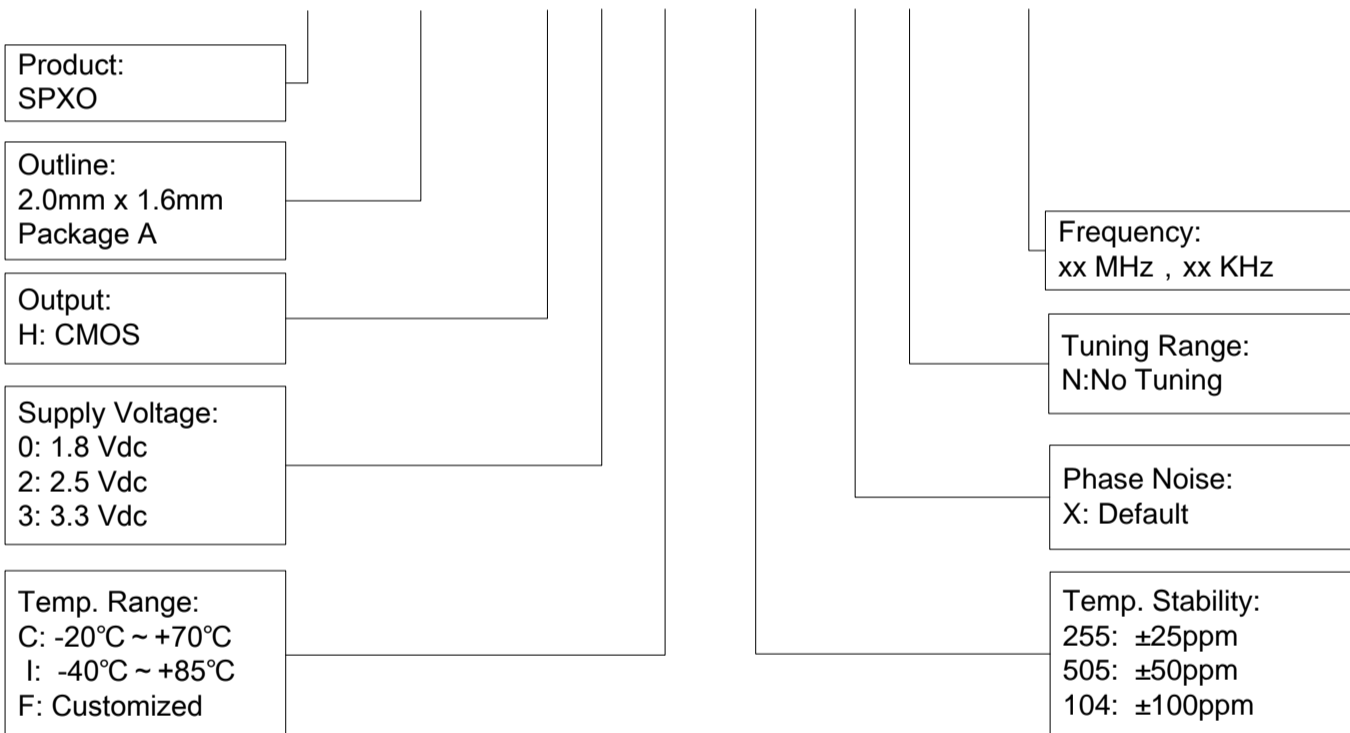
Outline Dimension & Pin Connections

Unit:
mm



Ordering Guide

BS2016A X X X XXX X X XX.XX



Example: BS2016AD3I505CN20

Disclaimer

Xtaltq Technologies Co., Limited reserves the right to make changes to the product(s) and/or information contained herein without notice. No liability is assumed as a result of their use or application. No rights under any patent accompany the sale of any such product(s) or information.