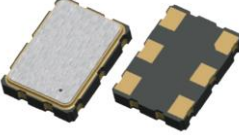


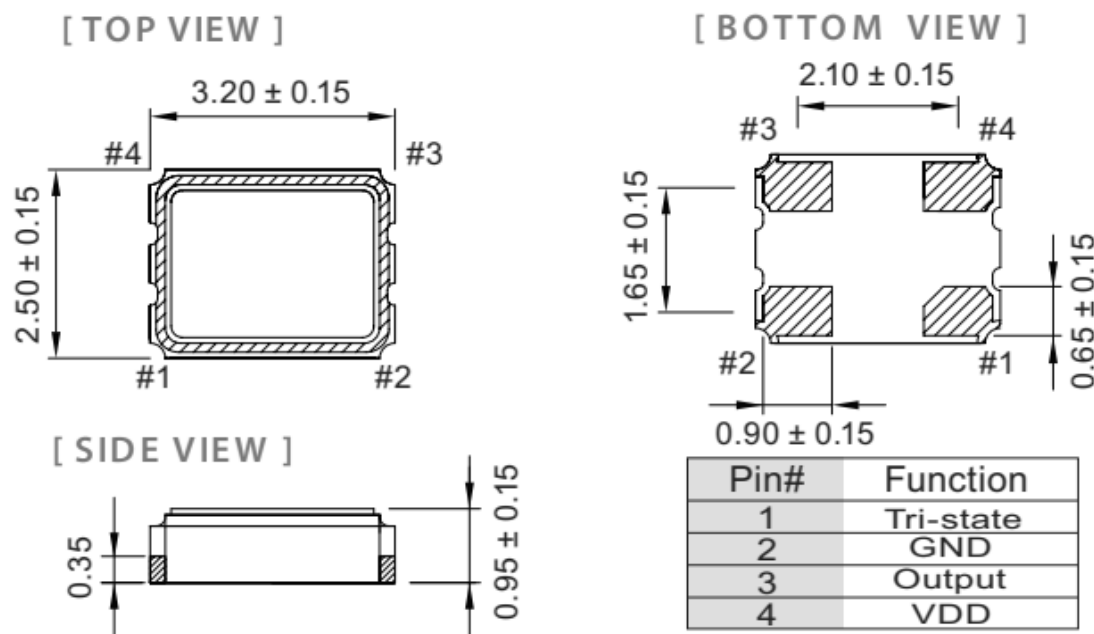
Features		Typical Application							
<ul style="list-style-type: none"> ● Typical 3.2 x 2.5 x 0.95 mm ceramic SMD package. ● Conforms to AEC-Q200 ● Tight Symmetry (45 to 55%) Available ● Operation Voltage: 1.8V, 2.5V, 3.3V ● Tri-State Enable/Disable 		<ul style="list-style-type: none"> ● WLAN/WiMAX ● Mobile Phone ● DSC, Set-Top Box, HDTV 							
BS3225A Series									
Parameter	3.3v		2.5V		1.8V		Unit	Conditions	
	Min.	Max.	Min.	Max.	Min.	Max.			
Supply Voltage Variation	VDD-5%	VDD+5%	VDD-5%	VDD+5%	VDD-5%	VDD+5%	V		
Frequency Range	1.25	125	1.25	125	1.25	125	MHz		
Standard Frequency	24, 26, 30, 40						MHz		
Transition Time Rise Time / Fall Time	-	3	-	4	-	5	nSec	1.25MHz Fo < 10MHz	
	-	3	-	3	-	4		10MHz Fo < 20MHz	
	-	3	-	3	-	4		20MHz Fo < 80MHz	
	-	3	-	3	-	4		80MHz Fo < 125MHz	
Supply Current	-	15	-	10	-	7	uA	At 15pF Load	
	-	1.5	-	1.5	-	1.2		No Load Condition, 1.25MHz Fo < 10MHz	
	-	2	-	2	-	1.5		No Load Condition, 10MHz Fo < 20MHz	
	-	3	-	2.5	-	1.5		No Load Condition, 20MHz Fo < 80MHz	
	-	8	-	7	-	5		No Load Condition, 80MHz Fo < 125MHz	
Duty Cycle	45	55	45	55	45	55	%		
Output Level	Output High	2.97	-	2.25	-	1.62	-	V	
	Output Low	-	0.33	-	0.25	-	0.18	V	
Tri-State Mode (Input to Pin 1)	Enable	2.31	-	1.75	-	1.26	-	V	
	Disable	-	0.99	-	0.75	-	0.54		
Stand by Current	-	10	-	10	-	10	uA	@-40°C to 85°C	
	-	20	-	20	-	20	uA	@-40°C to 125°C	
Output Loading	15		15		15		pF		
Period Jitter (Pk-Pk)	-	40	-	40	-	40	pSec		
RMS Phase Jitter	-	1	-	1	-	1	pSec	12kHz to 20MHz	
Aging	-	±3	-	±3	-	±3	ppm	@ 25°C, First Year	
Storage Temp. Range	-55	125	-55	125	-55	125	°C		
FREQ. STABILITY vs. TEMP. RANGE		±20ppm		±25ppm		±50ppm			
	-10~+60	Available		Available		Available			
	-20~+70	Conditional		Available		Available			
	-40~+85	Not Available		Available		Available			
Note: not all combination of options are available. Other specifications may be available upon request.									

Reliability

Parameter	Condition
Temperature Stress Test	IEC60068, GJB360B
Mechanical Stress Test	IEC60068, GJB360B
EMC Test (ESD)	IEC61000, JESD22
Solderability	EIA/JESD22-B102-C
Contact Pads	Gold over Nickel
RoHS	RoHS Directive 2011/65/EU Annex II Recasting 2002/95/EC

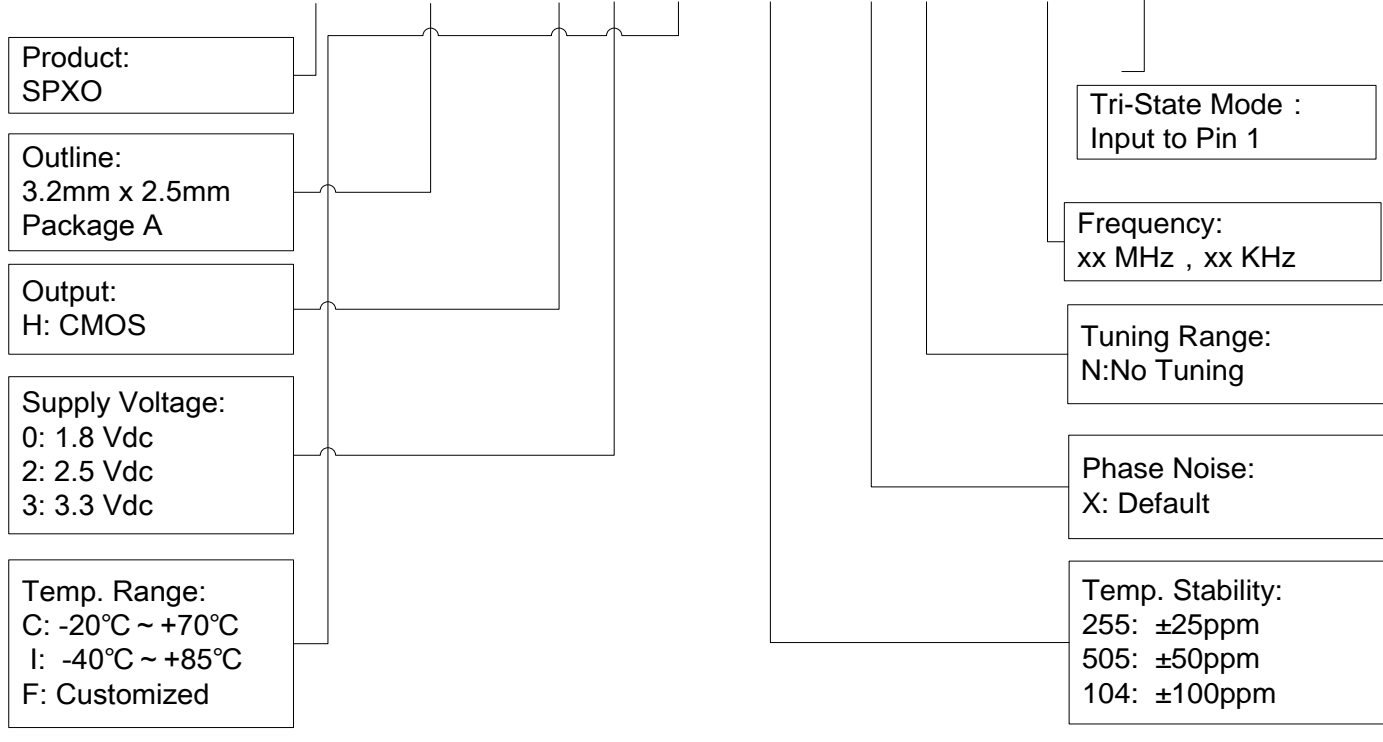
Outline Dimension & Pin Connections

Unit: mm



Ordering Guide

BS3225A X X X XXX X XXX.XX X



Example: BS3225AD3I505CN20

Disclaimer

Xtaltq Technologies Co., Limited reserves the right to make changes to the product(s) and/or information contained herein without notice. No liability is assumed as a result of their use or application. No rights under any patent accompany the sale of any such product(s) or information.