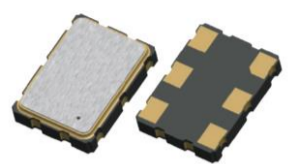


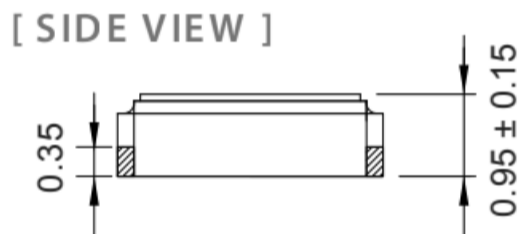
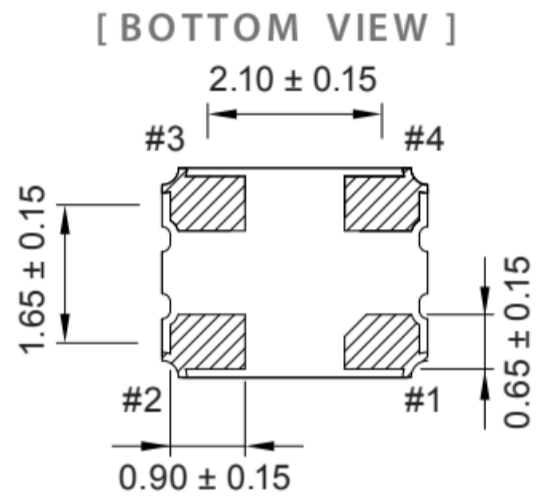
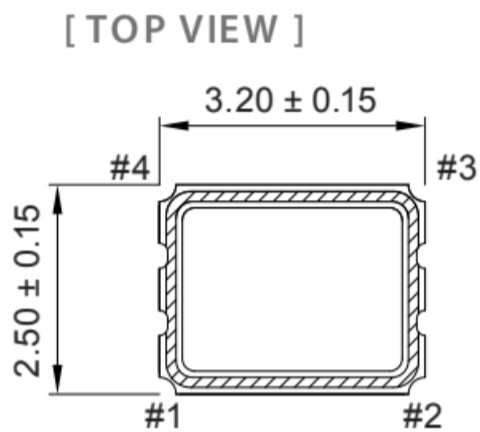
FEATURE		TYPICAL APPLICATION							
<ul style="list-style-type: none"> <li>● 3.2 x 2.5 SMD Oscillator</li> <li>● Conforms to AEC-Q200</li> <li>● Tight symmetry (45 to 55%) available</li> <li>● Operation voltage: 1.8V, 2.5V, 3.3V</li> <li>● Tri-state enable/disable</li> <li>● Built-in ASIC enables reduction of current consumption.</li> </ul>		<ul style="list-style-type: none"> <li>● Typically used for real time clock application</li> <li>● Mobile Phone</li> <li>● DSC, Set-top Box, HDTV</li> <li>● Car navigation systems</li> </ul>							
BS3225A Series									
Parameter		3.3v		2.5V		1.8V		Unit	Conditions
		Min.	Max.	Min.	Max.	Min.	Max.		
Supply Voltage Variation		VDD-10%	VDD+10%	VDD-10%	VDD+10%	VDD-10%	VDD+10%	V	
Frequency		32.768						kHz	
Transition Time (10%-90%)	Rise Time / Fall Time	-	50	-	50	-	50	nSec	
Supply Current		-	120	-	120	-	120	uA	(@ 15pF load)
		-	80	-	80	-	80	uA	@No Load
Duty Cycle		45	55	45	55	45	55	%	
Output Level	Output High	2.97	-	2.25	-	1.62	-	V	
	Output Low	-	0.33	-	0.25	-	0.18	V	
Tri-State Mode (Input to Pin 1)	Enable	2.31	-	1.75	-	1.26	-	V	
	Disable	-	0.99	-	0.75	-	0.54		
Start Time		-	2	-	2	-	2	mSec	
Aging		-	±3	-	±3	-	±3	ppm	@ 25°C, First Year
Storage Temp. Range		-55	125	-55	125	-55	125	°C	
FREQ. STABILITY vs. TEMP. RANGE			±20ppm		±25ppm		±40ppm		±40ppm
		-10~+60	Available		Available		Available		Available
		-20~+70	Conditional		Available		Available		Available
		-40~+85	Not Available		Conditional		Available		Available
		-40~+105	Not Available		Not Available		Available		Available
		-40~+125	Not Available		Not Available		Conditional		Available
<b>Note: not all combination of options are available. Other specifications may be available upon request.</b>									

## Reliability

Parameter	Condition
Temperature Stress Test	IEC60068, GJB360B
Mechanical Stress Test	IEC60068, GJB360B
EMC Test (ESD)	IEC61000, JESD22
Solderability	EIA/JESD22-B102-C
Contact Pads	Gold over Nickel
RoHS	RoHS Directive 2011/65/EU Annex II Recasting 2002/95/EC

## Outline Dimension & Pin Connections

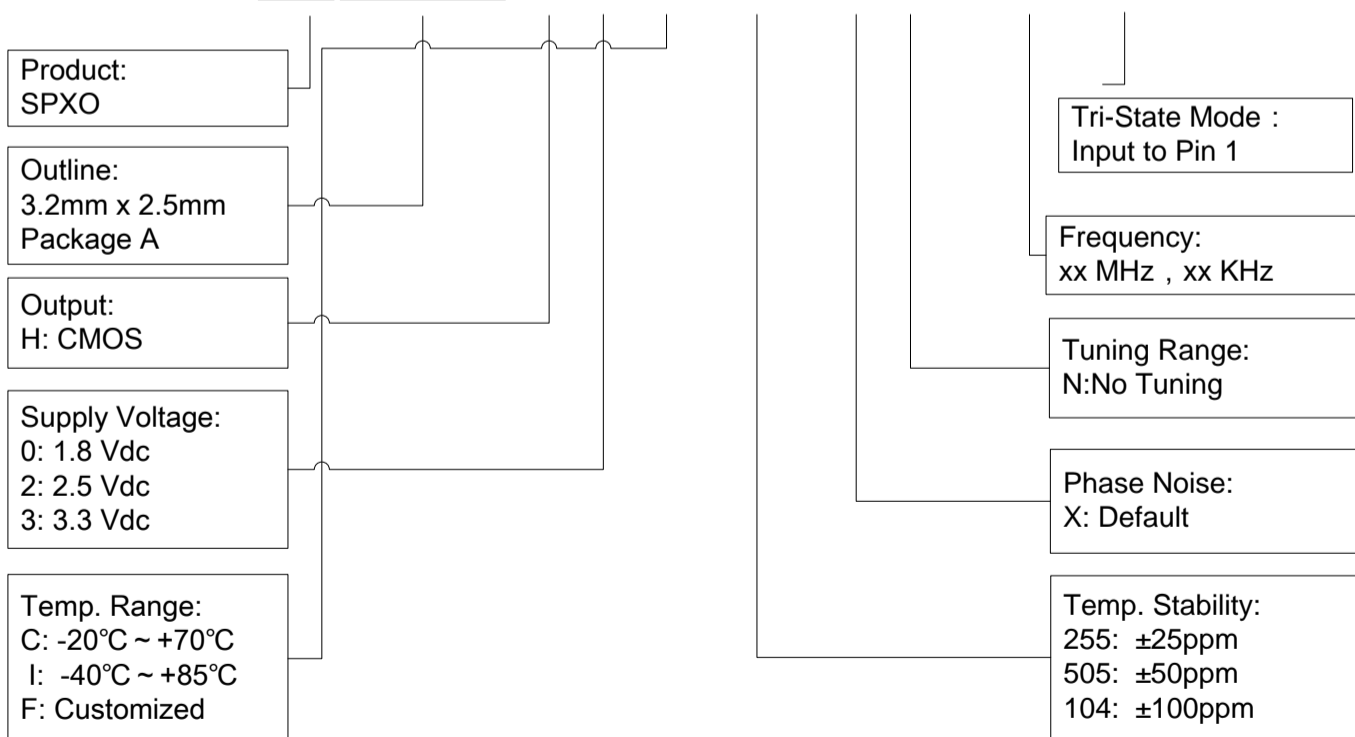
Unit: mm



Pin#	Function
1	Tri-state
2	GND
3	Output
4	VDD

## Ordering Guide

**BS3225A X X X XXX X XXX.XX X**



**Example: BS3225AD3I505CN20**

### Disclaimer

Xtaltq Technologies Co., Limited reserves the right to make changes to the product(s) and/or information contained herein without notice. No liability is assumed as a result of their use or application. No rights under any patent accompany the sale of any such product(s) or information.