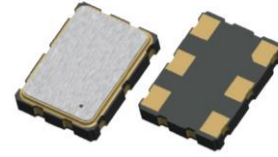


Features

- Typical 3.2 x 2.5 x 0.95 mm ceramic SMD package.
- low Power Supply Voltage: 3.3V, 2.5V, 1.8V
- Frequency 32.768kHz
- Singled-end Output:CMOS
- Temperature Range: -40°C to 125°C Operation
- Pb-free/RoHS compliant

Application

- RTC Module
- Smartphone
- IoT
- Wearable Device – Watch, Medical



BS3225A Series

| Parameter | 3.3v | | 2.5V | | 1.8V | | Unit | Condtions | |
|---------------------------------|-----------------------|---------------|-----------|---------------|-----------|---------------|-----------|--------------------|--|
| | Min. | Max. | Min. | Max. | Min. | Max. | | | |
| Supply Voltage Variation | VDD-10% | VDD+10% | VDD-5% | VDD+5% | VDD-5% | VDD+5% | V | | |
| Frenquency | 32.768 | | | | | | kHz | | |
| Transition Time (10%-90%) | Rise Time / Fall Time | - | 15.0 | - | 15.0 | - | 15.0 | nSec | |
| Supply Current (No Load) | - | 35 | - | 35 | - | 35 | uA | @No Load | |
| Duty Cycle | 45 | 55 | 45 | 55 | 45 | 55 | % | | |
| Output Level | Output High | 2.97 | - | 2.25 | - | 1.62 | - | V | |
| | Output Low | - | 0.33 | - | 0.25 | - | 0.18 | V | |
| Tri-State Mode (Input to Pin 1) | Enable | 0.7 x VDD | - | 0.7 x VDD | - | 0.7 x VDD | - | V | |
| | Disable | - | 0.3 x VDD | - | 0.3 x VDD | - | 0.3 x VDD | V | |
| Stand by Current | - | 3 | - | 3 | - | 3 | uA | | |
| Output Loading (CMOS) | - | 15 | - | 15 | - | 15 | pF | | |
| Startup Time | - | 20 | - | 20 | - | 20 | mSec | | |
| Aging | - | ±3 | - | ±3 | - | ±3 | ppm | @ 25°C, First Year | |
| Storage Temp. Range | -55 | 125 | -55 | 125 | -55 | 125 | °C | | |
| FREQ. STABILITY vs. TEMP. RANGE | | ±20ppm | | ±25ppm | | ±30ppm | | ±50ppm | |
| | -10~+60°C | Available | | Available | | Available | | Available | |
| | -20~+70°C | Conditional | | Available | | Available | | Available | |
| | -40~+85°C | Not Available | | Conditional | | Available | | Available | |
| | -40~+105°C | Not Available | | Not Available | | Conditional | | Available | |
| | -40~+125°C | Not Available | | Not Available | | Not Available | | Available | |

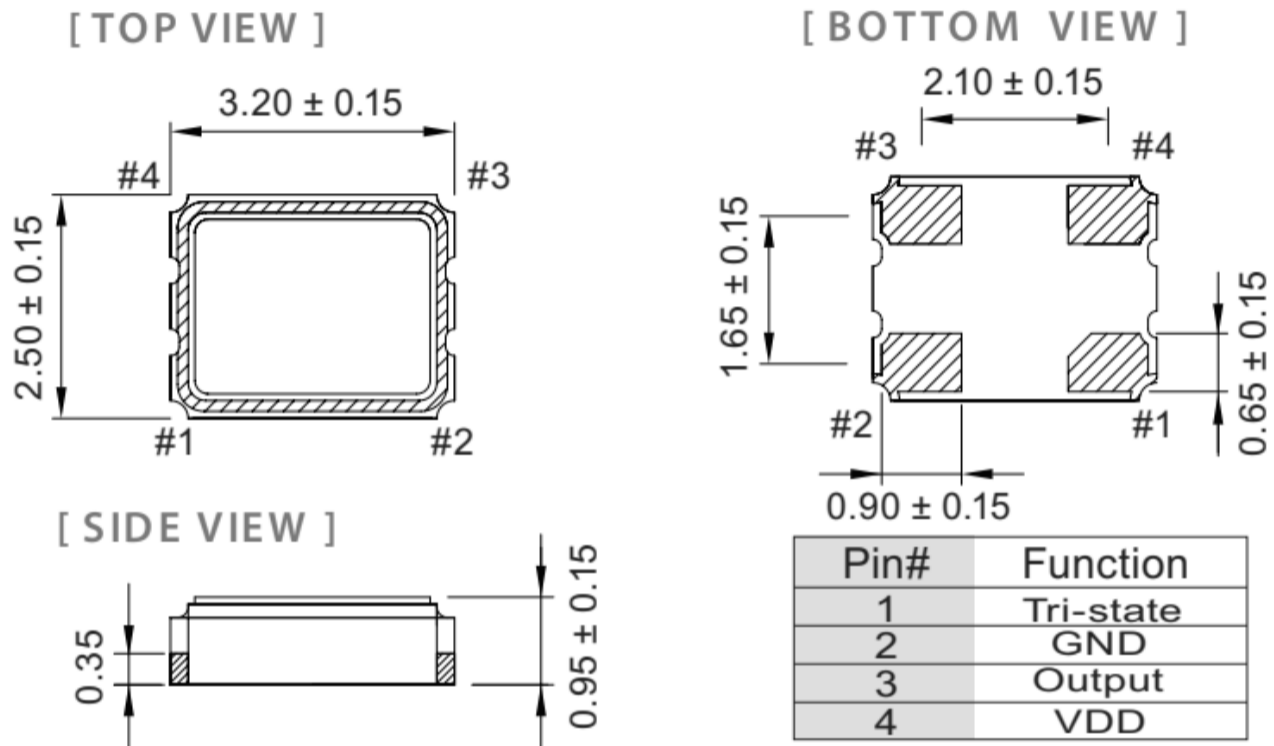
Note: not all combination of options are available. Other specifications may be available upon request.

Reliability

| Parameter | Condition |
|-------------------------|---|
| Temperature Stress Test | IEC60068, GJB360B |
| Mechanical Stress Test | IEC60068, GJB360B |
| EMC Test (ESD) | IEC61000, JESD22 |
| Solderability | EIA/JESD22-B102-C |
| Contact Pads | Gold over Nickel |
| RoHS | RoHS Directive 2011/65/EU Annex II Recasting 2002/95/EC |

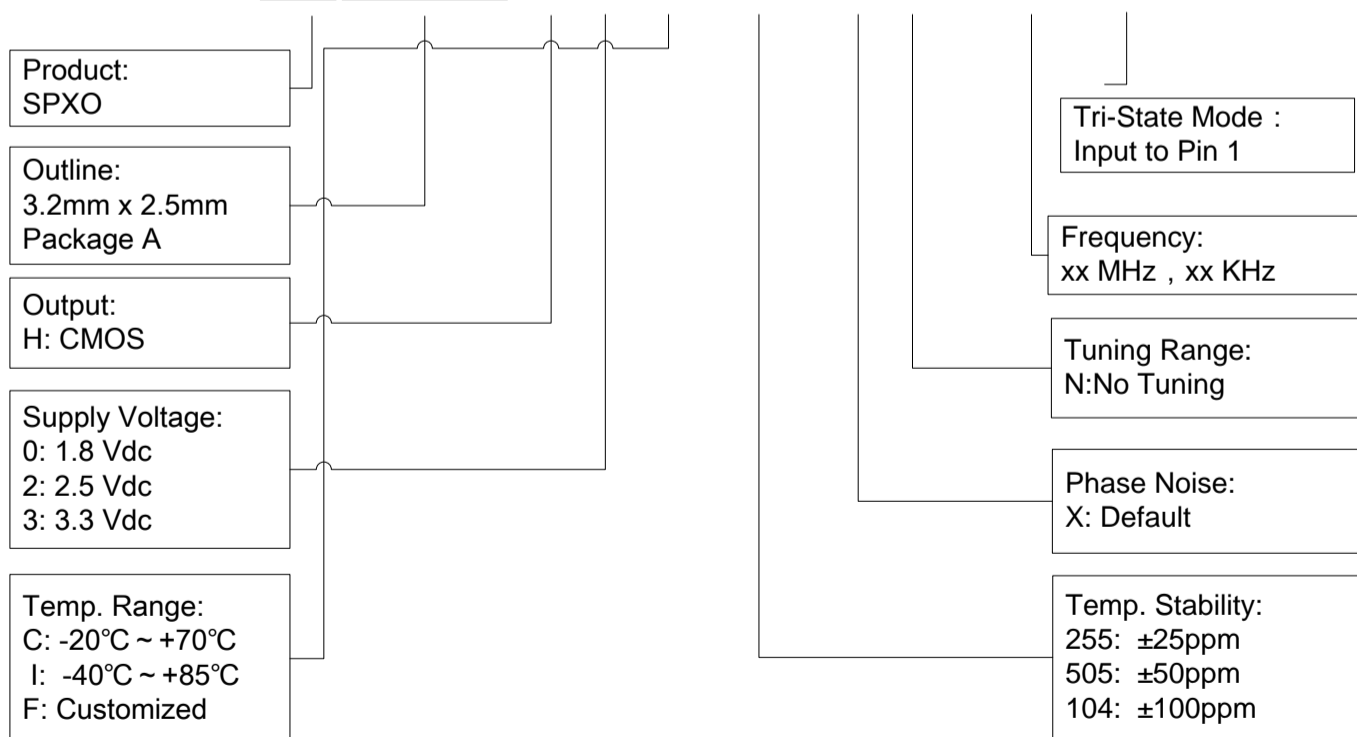
Outline Dimension & Pin Connections

Unit: mm



Ordering Guide

BS 3225A X X X XXX X XXX.XX X



Example: BS3225AD3I505CN20

Disclaimer

Xtaltq Technologies Co., Limited reserves the right to make changes to the product(s) and/or information contained herein without notice. No liability is assumed as a result of their use or application. No rights under any patent accompany the sale of any such product(s) or information.